

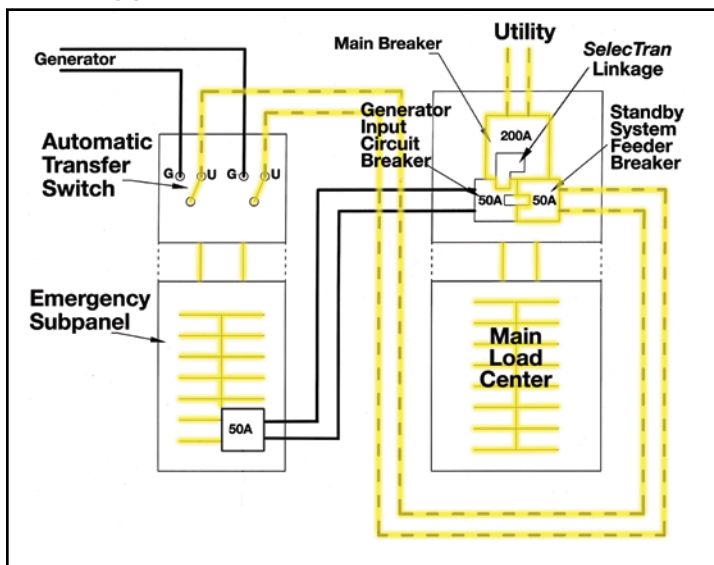
Reliance *SelecTran*TM

Automatic Standby System Expansion Panelboards

Operating Sequence

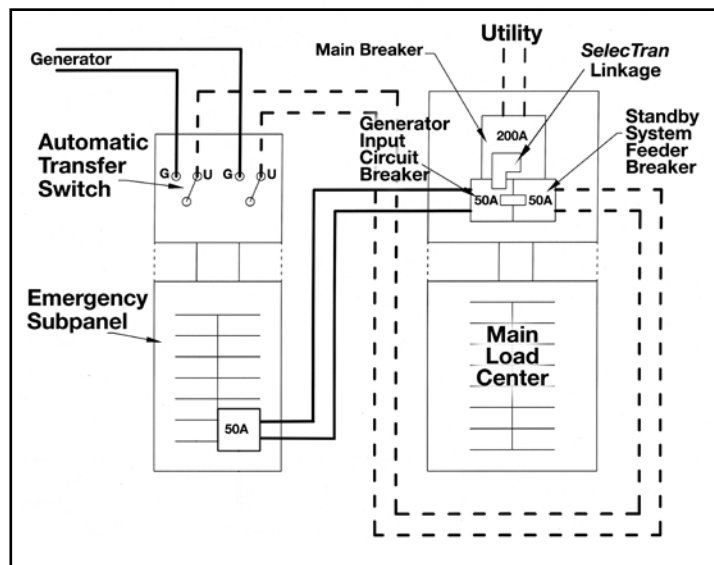
1. Normal Utility Power

Utility powers all circuits.



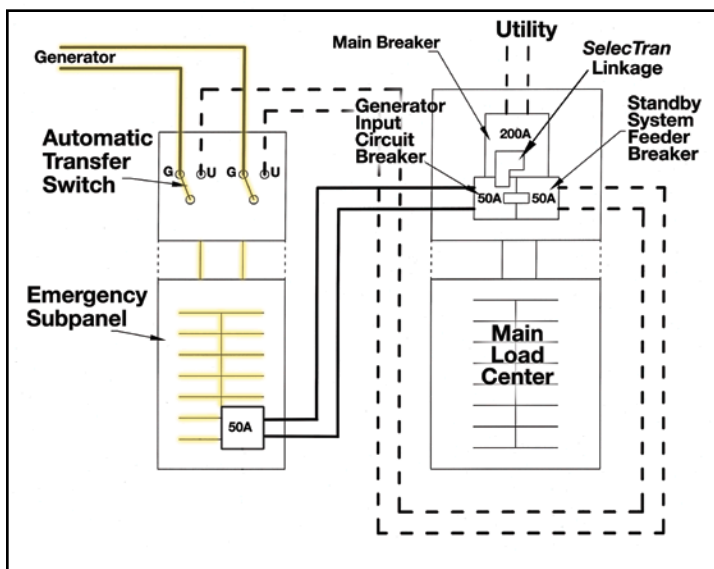
2. Utility Power Fails

No power available to any circuit.



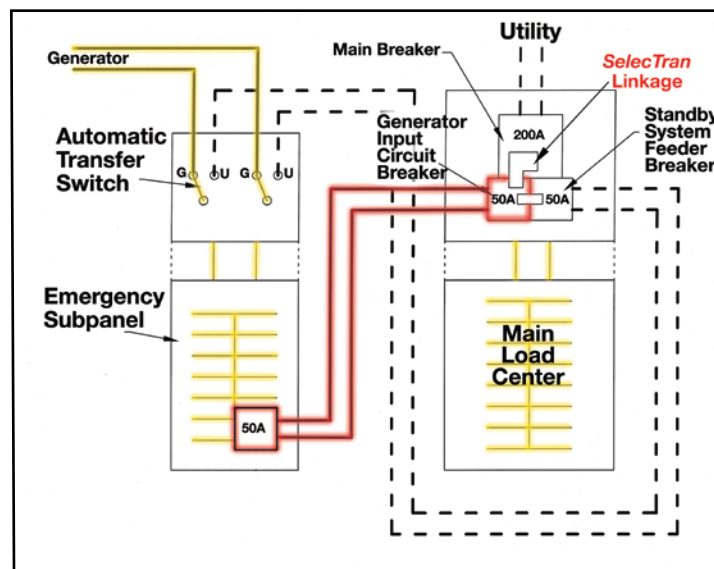
3. Standby System Activates Automatically

Power available to emergency circuits only.



4. *SelecTran* Manually Activated

Standby system power available to all circuits.



The *SelecTran* linkage provides a three-way interlock between the Main Breaker, Generator Input Breaker and the Standby System Feeder Breaker to prevent backfeeding the utility and/or the automatic transfer switch.



Reliance *SelecTran* panelboards are listed by Underwriters Laboratories Inc. and suitable for use in accordance with article 702 of the National Electrical Code ANSI/NFPA70.